



**3 phase,60HZ@1800RPM**

<b>Prime power</b>	KVA	520
	KW	416
<b>Standby power</b>	KVA	572
	KW	458
<b>Voltage</b>	V	440/254
<b>Ampere</b>	A	750.8



**Notes:**

- 1) Ambient condition: 1,000 m,25°C
- 2) Available in following voltages:220/127,208/120,416/240,440/254,460/266,480/277
- 3) Prime Power (PRP): Prime power is available for an unlimited number of annual hours in variable load application, in accordance with GB/T2820-97 (eqv ISO8528) ; A 10% overload capability is available for a period of 1 hour within a 12-hour period of operation.  
Standby Power Rating (ESP): The standby power rating is applicable for supplying emergency power for the duration of a utility power interruption. No overload, utility parallel or negotiated outage operation capability is available at this rating.

**Features**

- |  |   |
|--|---|
| <ul style="list-style-type: none"> <li>● Engine (DOOSAN DP158LC)</li> <li>● Radiator 40°C max, fans are driven by belt, with safety guard</li> <li>● Alternator: single bearing Mecc Alte alternator IP23, insulation class H/H )</li> <li>● Main line circuit breaker</li> <li>● Standard automatic control panel</li> <li>● Batteries, rack and cable</li> </ul> | <ul style="list-style-type: none"> <li>● 24V charge alternator</li> <li>● Absorber</li> <li>● Dry type air filter, fuel filter, oil filter</li> <li>● Ripple flex exhaust pipe, exhaust siphon, flange, muffler</li> <li>● User manual</li> </ul> |
|--|---|

**Performance Specification,Warranty and Criterion**

Performance Specification		Telephone Influence Factor	
Voltage Regulation	≥±5%	TIF	<50
Voltage Regulation, Stead State	≤±1%	THF	<2%
Sudden Voltage Warp (100% Sudden Reduce)	≤+25%	<b>Warranty</b> Warranty is according to our standard conditions: a, 12 months, One year after installation; b, 1000 running hours (accumulated); subject to the earlier one.Service and parts are available from ENERGY360 or distributors in your location.  <b>Criterion</b> <ul style="list-style-type: none"> <li>● Genset design comply to ISO8528/GB2820-97</li> <li>● Alternator design Compliance with GB755, BS5000, VDE0530, NEMAMG1-22, IED34-1, CSA22.2 and AS1359 standards</li> </ul>	
Sudden Voltage Warp (Sudden Increase)	≤-20%		
Voltage Stable Time (100% Sudden Reduce)	≤6S		
Voltage Stable Time (Sudden Increase)	≤6S		
Frequency Reduce	0-5% adjustable		
Frequency Regulation, Stead State	5%		
Frequency Waving	≤0.5%		
Sudden Frequency Warp (100% Sudden Reduce)	≤+12%		
Sudden Frequency Warp (Sudden Increase)	≤-10%		
Frequency Recovery Time (100% Sudden Reduce)	≤5S		
Frequency Recovery Time (Sudden Increase)	≤5S		



Engine specification			Alternator specification	
<b>Brand</b>	<b>DOOSAN</b>		<b>Brand</b>	<b>Mecc Alte</b>
<b>Model</b>	<b>DP158LC</b>		<b>Model</b>	<b>ECO40 2S4A</b>
Air Intake System	Turbo, Air/Air cooling		Number of Phase	3
Fuel System	BOSCH P type fuel pump		Connecting Type	"Y" type connecting
Cylinder Arrangement	8 in "V"		Number of Bearing	1
Displacement	14.618L		Power Factor	0.8
BorexStroke	128x142 mm		Protection Grade	IP23
Compression Ratio	15.0:1		Altitude	≤1000m
Governor Type	Electronic Governor		Exciter Type	Brushless, self-exciting
Frequency Regulation, Steady State:	≤1.5%		Insulation Class, Temperature Rise	H/H
Starting system	E		Alternator Capacity	550KVA
Battery voltage	12VDC		Telephone Influence Factor (TIF)	<50
Fuel consumption(L/h)	100% load	111.5	THF	<2%
	75% load	83.4	Voltage Regulation, Steady State	≤±1%
	50% load	57.7	Alternator Efficiencies	94.1%
	25% load	32.3	Air Cooling Flow	1.035m3/s

Exhaust System		Air Intake System	
Exhaust Gas Flow	101m3/min	Max Intake Restriction	6.23kPa
Exhaust Temperature	543°C	Cooling Fan Air Flow	850m3/min
Max Back Pressure	5.9kPa	Intake Air Flow	34.5m3/min

Oil System		Cooling System	
Max Oil Capacity	22L	Total Coolant Capacity	79L
Oil Consumption	488g/h	Thermostat	71-85°C
Max oil temperature	120°C	Max Water Temperature	103°C
Oil Pressure at Rated RPM	≥250kpa		



## Control system

### Deepsea brand DSE7320 (Standard)

#### Features:

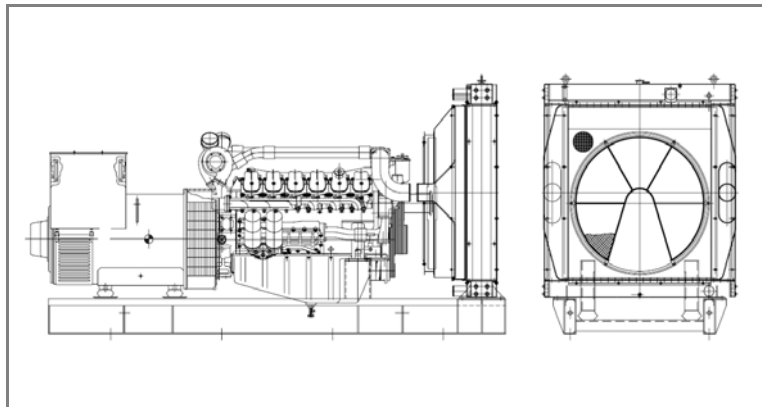
- Auto Mains (Utility) Failure control module
- Remote PC and via SMS textalerts (with external modem)
- LED and LCD alarm indication
- Include USB, RS232 and RS485 ports
- Support for up to three remote display units
- Generator measurements (50/60 Hz): U1-U3, I1-I3, Hz, kW, kVAr, kWh
- Charge alternator failure alarm
- 3 phase Generator protections:
  - Over-/under voltage
  - Over-/under frequency
  - Current/voltage asymmetry
  - Overcurrent/overload
- Analog oil pressure, water temperature, fuel level, battery voltage, engine speed
- Load switching (load shedding and dummy load outputs)
- CAN and Magnetic Pick-up/Alt.sensing
- Automatic load transfer



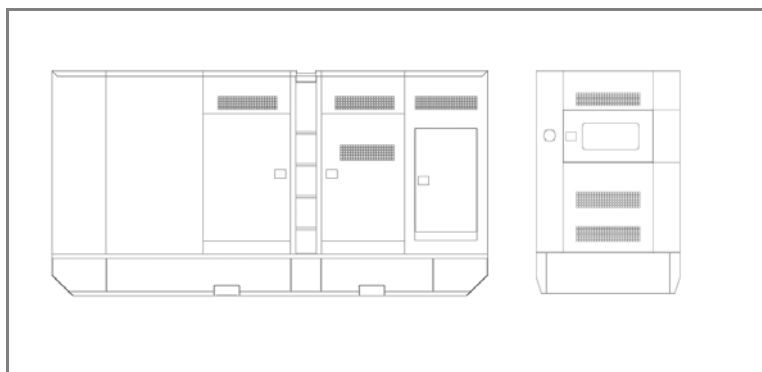
**Optional parts**

Engine	Fuel System	Control System
● Heater	● Daily Fuel Tank	● Remote Control Panel
● Battery Charger	● Water Separator	● Auto Transfer Switch
	● Fuel Level Sensor	● Paralleling System
Alternator	Others	Data
● Anti Condensation Heater	● Soundproof Type	● Engine Parts Drawing List
● Drop CT (For Paralleling)	● Trailer Type	● Spare parts
● PMG	● Containerized Type	

**Dimension and Weight**



Open Type Genset
Dimension: 3100x1400x2000 mm
Weight: 3300 kg



Soundproof Type Genset
Dimension: 4500x1600x2400 mm
Weight: 4450 kg

**ENERGY360**

Kra42 #54A 71 INT101 ITAGUI. PBX: (4)5600530

E-mail: [info@energy360.com.co](mailto:info@energy360.com.co)

